



**HAND OPERATED VALVES
TYPE HAV**

www.hl-hydraulik.de

Hand operated valves of the Series HAV provide leakfree operation for high pressure pneumatic or water service. Their robust construction and special adjustable spindle-sealing allow operation under extreme conditions with a very long lifespan. The valves can accept flow in both directions.

Product Range:

NG 8mm PN 200bar

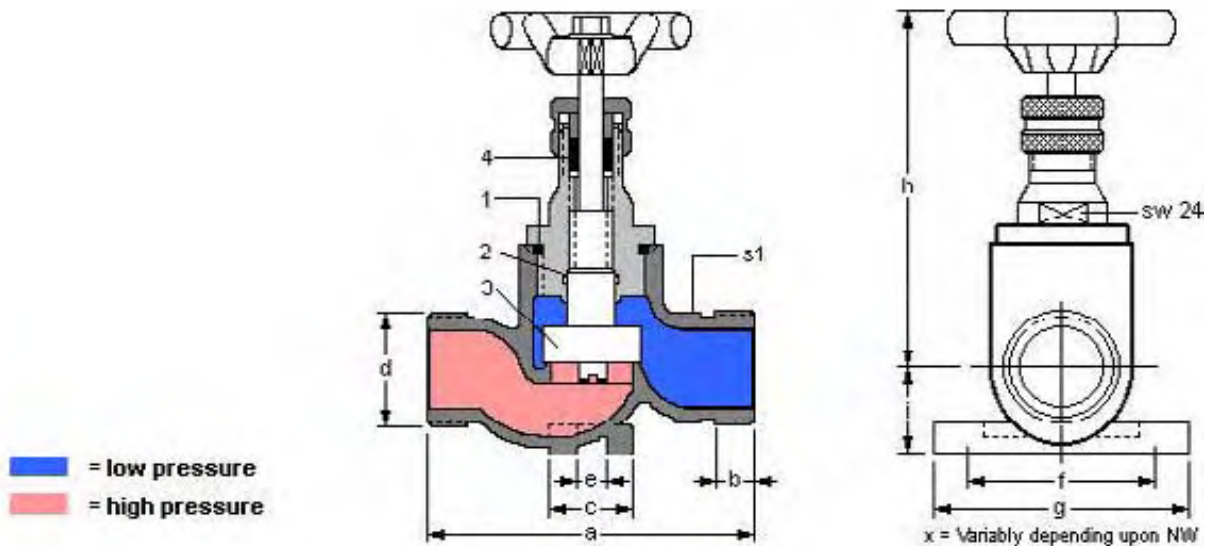
NG 15mm PN 64bar

NG 25mm PN 64bar

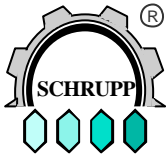
Accessories:

Reduction from NG 15 to NG 10 with outside-screw thread M18 x 1.5

Tube fitting connection to Gal. ZN 1201 DIN 50961



Type	ND	Prodnr Prodno	Fuß Socket	Entlastung Vent	a	b	c	d	e	f	g	h	i	S1	Rohr Pipe	Masse (Kg)
HAV	15	160523			80	9		M26x1,5				112	19	24	15/18	0,55
HAV	15	160525	x		80	9	17	M26x1,5	8	44	60	112	19	24	15/18	0,59
HAV	15	160524		x	80	9		M26x1,5				112	19	24	15/18	0,55
HAV	15	160526	x	x	80	9	17	M26x1,5	8	44	60	112	19	24	15/18	0,59
HAV	25	160527			105	12		M36x2				113	25	36	25/28	0,89
HAV	25	160528		x	105	12		M26x2				113	25	36	25/28	0,89



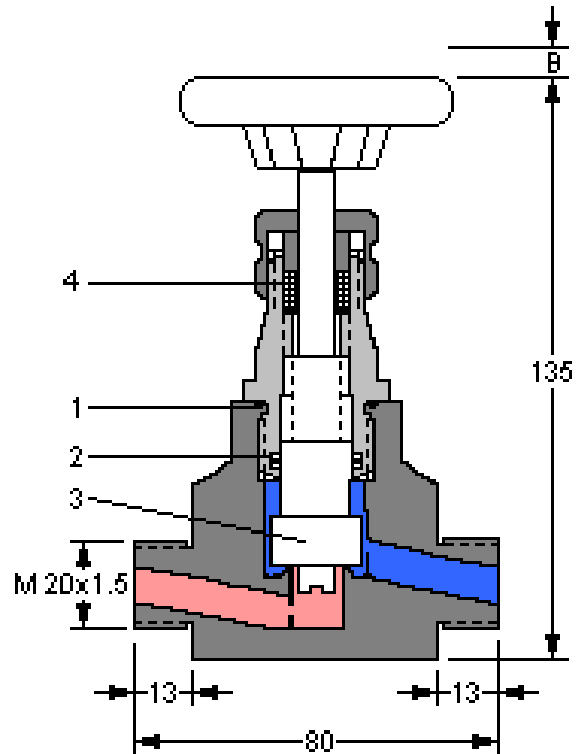
**HAND OPERATED VALVES
TYPE HAV**

www.hl-hydraulik.de

Order-Information HAV 08 Pno.: 504242

NG 8mm PN 350bar

Product Nr: 504242



■ = low pressure
■ = high pressure

Spare parts kit

Consisting of:

Pos	Name
1	O – Ring (u-ring)
3	Disk
4	Seal Kit

Accessories

HAV 08

Tube fitting Connection per: Gal. ZN 1201 DIN 50961 for tube D = 8/12mm

Order nr: **HAV 08 EO**

HAV Tube fitting Connection per: Gal. ZN 1201 DIN 50961 for tube D = 15/18mm

Order nr: **HAV 15 EO**

Reduction from M26x1.5 to M18x1.5 thread

Order nr.: **HAV 15 RED10**

HAV 25

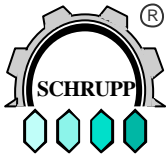
Tube fitting Connection per: Gal. ZN 1201 DIN 50961 for tube D = 25/28mm

Order nr.: **HAV 25 EO**

Order Information

HAV 15 VTS

HAV 25 VTS



**NON RETURN VALVES
TYPE RSV**

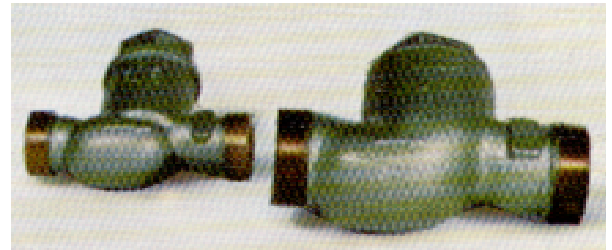
www.hl-hydraulik.de

NP 64bar

ND 15 and ND 25mm

Complete with EO fittings

Gal. ZN 1201 DIN 50961

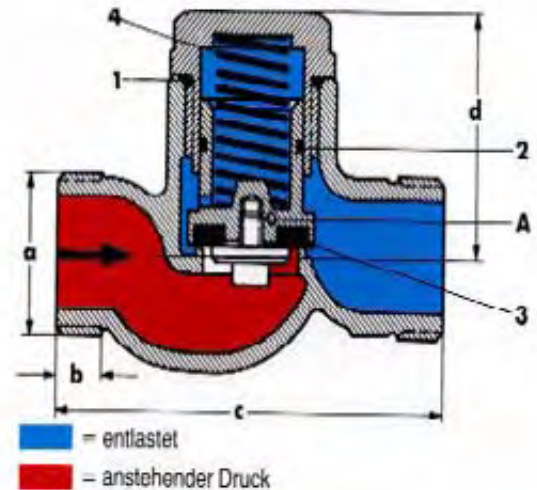


ND	Seat	a	b	c	d	Mass	Partno.
15	soft	M26 x 1,5	9	80	60	0,4 Kg	160535
25	soft	M36 x 2	12	105	58	0,5 Kg	160537

Ordering code and example:
Type, Size, Pressure

RSV 15 – 64

Pressure difference for opening 2bar



ND10 NP200 and ND25 NP100

Complete with EO fittings

Gal. ZN 1201 DIN 50961

ND	Connection	length
10	M 20 x 1,5	80
25	M 36 x 2	85

Ordering code and example:
Type, Size, Pressure

RSV 10 – 200

